



Switchgear type SZR-2B

for rated voltage of 500V



Switchgear type SZR-2B is an electrical device designed for use in methane-free without coal dust explosion hazard underground mining pits as well as on the ground.

Switchgear type SZR-2B is designed for connecting and switching-on receivers to mine 3-phase grid with insulated star point on the transformer (IT system) for the rated grid supply voltage of 230V in automatic power backup switching-on after a power failure of basic supply (automatic reserve switching).

The receivers are connected to the switchgear using a terminal clamps through the cable gland.

Switchgear SZR-2B is equipped with power protection against short-circuits and reduction of earth resistance.

TECHNICAL DATA:

ingress protection
rated supply voltage
rated current
dimensions/weight:

- for switchgears of rated current to 160A
- for switchgears of rated current 250A

IP54
230V,50Hz
25, 40, 80, 125, 160, 250A

1250 x 700 x 370mm (HxWxD)/ 80kg
1400 x 700 x 370mm (HxWxD)/ 110kg

CONSTRUCTION

The switchgear consists of a housing mounted on a framework fitted with brackets. Frame construction allows for hanging it on the pit wall.

MODE OF OPERATION

Switchgear let switching on the reserve power supply in AUTOMATIC mode. After the power failure in the main power supply it is switched-off and the reserve power supply is switched on. On returning of the main power supply, the reserve power supply is reconnected again. Manual mode enables on individual operation any of outlets.

SCHEMATIC DIAGRAM

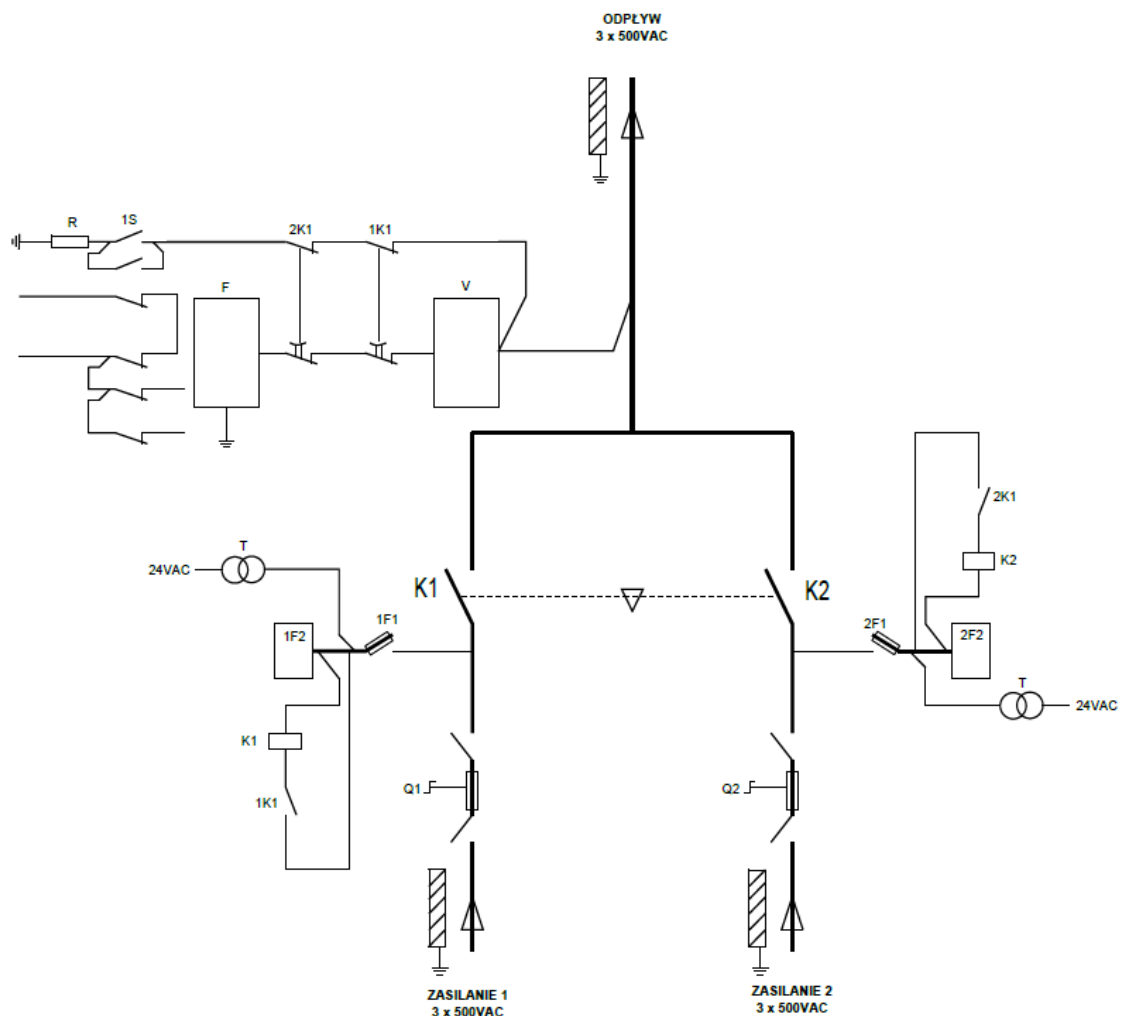
Legend:

Odplływ 3x500V – **Outlet 3x500VAC**

Zasilanie 1,2 3x500V – **Power supply 1,2 3x500VAC**

K1,K2 – **Contactors**

Q1,Q2 – **Fuse disconnectors**



Orders should be submitted in writing or by fax to the address: